



# RTM-120P

**36 Cells**  
 Poly-crystalline

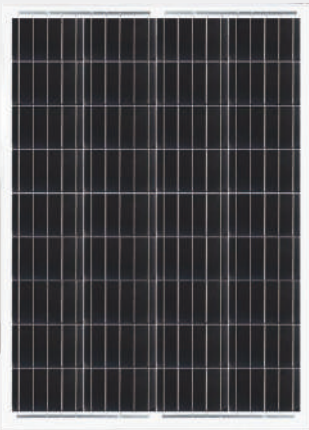
**120W**  
 Power output

**17.87%**  
 The Highest Efficiency

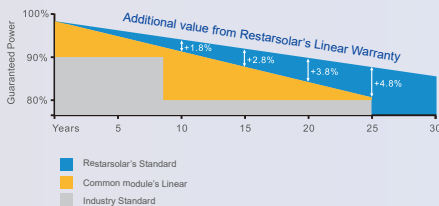
**0~+5W**  
 Tolerance

WWW.RESTARSOLAR.COM

RTM-120P is a robust solar module with 36 solar cells. These modules can be used for on-grid solar applications. Our meticulous design and production techniques ensure a high-yield, long-term performance for every module produced. Our rigorous quality control and in-house testing facilities guarantee Restar solar's modules meet the highest quality standards possible.



## 0.5% Annual Degradation over 30 years



High module conversion efficiency (up to 17.87%), through superior manufacturing technology



Guaranteed 0~+5W positive power output tolerance ensures high reliability



Anti-reflective, hydrophobic coating improves light absorption and reduces surface dust



Excellent performance under low light environments (mornings, evenings and cloudy days)



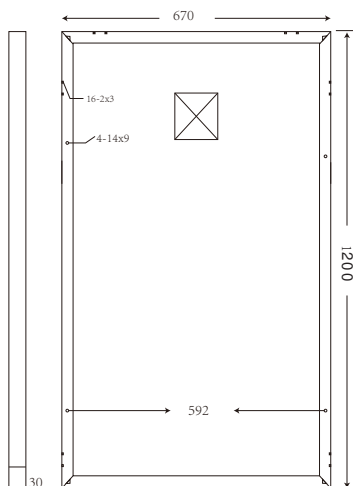
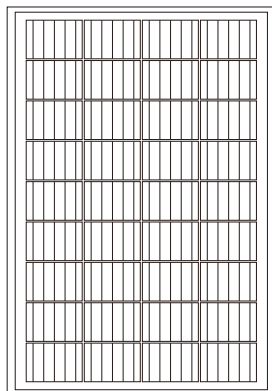
Suitable for harsh environments, such as coasts, deserts and lakes. Withstand high level of wind loads (2400pa) and snow loads (5400pa)

## Full range of products and certification systems

ISO 9001 TUV PID-FREE CE IEC61215/61730/61701/62716



**Dimension of PV Modules** Unit: mm



**ELECTRICAL DATA(STC)**

Rated Power in Watts-Pmax(Wp)	120W
Open Circuit Voltage-Voc(V)	22.5V
Short Circuit Current-Isc(A)	6.88A
Maximum Power Voltage-Vmp(V)	18.72V
Maximum Power Current-Imp(A)	6.41A

STC: Irradiance 1000 W/m<sup>2</sup>, Cell Temperature 25°C, Air Mass AM1.5 according to EN 60904-3.

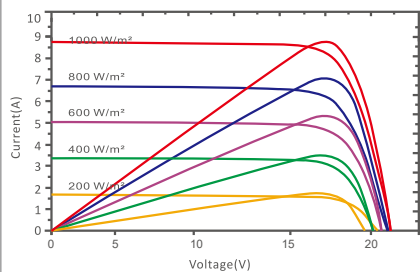
**MECHANICAL DATA**

Solar cells	Poly-crystalline 156x91mm, 4 or 5 Bus bars
Cell configuration	36 cells(4x9)
Module dimensions	1200x670x30mm
Weight	7.5KGS
Front Cover	3.2mm Tempered Glass
Frame Material	Anodized Aluminum Alloy
J-BOX	IP65 or IP67, 6 Diodes
Cable	4mm <sup>2</sup> (IEC)/12AWG(UL),900mm
Connectors	MC4 or MC4 Comparable
Standard Packaging	2pcs/carton box

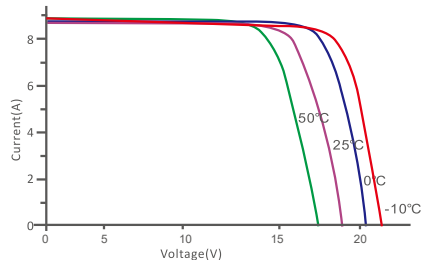
**TEMPERATURE & MAXIMUM RATINGS**

Nominal Operating Cell Temperature (NOCT)	45°C±2°C
Temperature Coefficient of Voc	-0.32%/°C
Temperature Coefficient of Isc	0.05%/°C
Temperature Coefficient of Pmax	-0.39%/°C
Operational Temperature	-40~+85°C
Maximum System Voltage	1000V(IEC)/600V(UL)
Max Series Fuse Rating	15A

**I-V characteristics at different irradiances**



**I-V characteristics at different temperature**



GLOBAL PROFESSIONAL PV PRODUCTS INTERGRATED SOLUTIONS SUPPLIER

